

**Now Available From Stock!**

S/S 17-7 PH CH-900  
Stock Compression Spring Catalog

# ***Alloy Spring Products***



**Alloy Spring Productions**  
SPRING PRODUCTS INTERNATIONAL  
P.O. BOX 1550  
124 N. LaSALLE  
NAVASOTA, TX. 77868  
P: 936-825-3573 / 800-515-9773  
F: 936-825-6385 / 800-515-9774

The need by industry for a better stock spring is now answered! Available for immediate shipment from stock: The Ultimate precision stocking program of S/S (17-7PH) CH-900 compression springs are now here. S/S (17-7) PH CH-900 Spring Tempered and Age Hardened to the highest possible physical properties. AMS 5673/ AISI631/ MIL-W-46078 – German Werkstoff NR. 1.568 (Table1) ASTM-A313

## General Information about S/S 17/7 PH-CH900 Springs:

### Corrosion Resistant

S/S 17-7 exhibits good corrosion resistance in most environments generally Superior to regular marten-sitic Stainless grades.

### Strength:

S/S 17-7 being precipitation hardenable allows the Alloy to attain strengths approaching valve quality type carbon and Alloy Materials.

### Heat Resistance:

Maintains excellent physical properties up to 550°F and can be used up to 700°F with some load loss due to thermal Relaxation.

### Industrial Uses:

Springs made from S/S 17-7 have been the work horse for Aircraft, Aerospace, Valve Industry and Compressor Industries for many years.

### Manufacturing Information:

All of our stock S/S(17-7) Compression Springs are Manufactured to the highest repeatable quality standards; by a separate division of our parent company Exper - Tech Products Co. Inc. World class customer service is our goal and Motto.

### Non- Stock Items:

Even though we have tried to put together a complete stock list of straight compression springs there are always needs for items that may not be in the catalog. This is why having total committed support of our own Spring Manufacturing Division, we can fill any need for Springs that might occur. That is: Tapered and Barrel shaped Compression, Torsion, Extension, Bellville Washers, Wave Springs, Curved Washer and Stamped Flat Springs. In any Alloy or finish that you may need!

## Engineering and Tolerance Information

### Standard Nomenclature & Structure:

#### Free Length (Unloaded)

Range	Tolerance
.375" – 1.000"	+/- .015
1.001" – 2.250"	+/- .025
2.251" – 3.500"	+/- .045
3.501" – 4.500"	+/- .055
4.501" – 5.500"	+/- .065

#### Outside Diameter O.D.

O.D.'s are specified to fit a hole-size and a minimum clearance of .005 is maintained when the spring is deflected to solid, as the hole size increases the clearance increases up to .050"

#### Load at Solid Length

Approximate load when spring is fully compressed to solid length  
Load @ Solid is +/- 10%

#### Rate (Expressed #/ Inch)

This is the Springs Constant if Deflected or traveled 1.0"  
Spring Rate is +/- 10%

#### Wire Size

Wire size is not listed and is reference only.

#### Solid Length

(When all coils are closed together by compressing)

Solid length is +/- 10%

*Note: Not Specified attained by subtracting the travel from the free length.*

#### Travel or Total Deflection

Approximate travel from Free Length to Solid length  
Travel +/- 10%

### Spring Life \*

#### Static Service:

If used with no more than 60% of available travel approximately 1,000,000 cycles can be obtained.

#### Dynamic Service:

If used with no more than 30% of Available travel approximately 1,000,000 Cycles can be obtained.

## Alloy Spring Products Price Codes

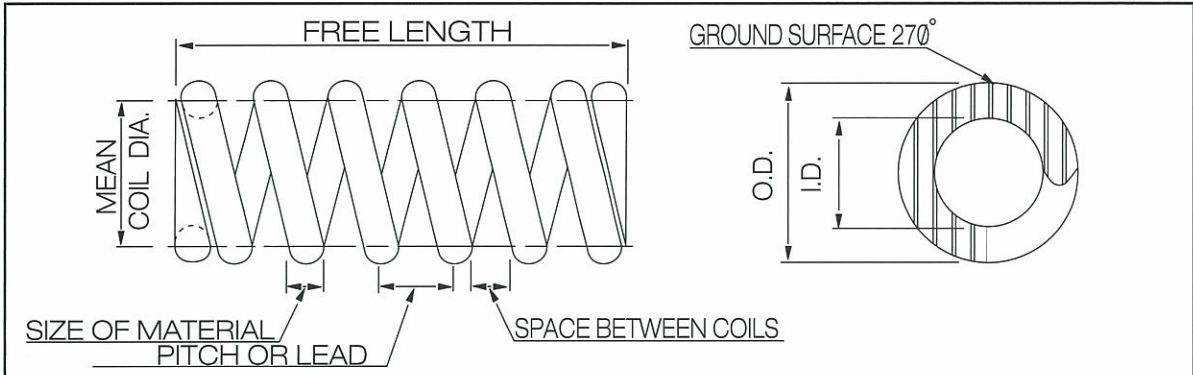
\*Additional price breaks will occur at larger quantities of 250, 500, and 1,000. Please call: [936.825.3573](tel:936.825.3573) or by email: [info@alloyspringproducts.com](mailto:info@alloyspringproducts.com) to ask about these price breaks.

Price Group	Minimum Order	Price Each	Qty	Qty	Qty
		10	25	50	100
P1	10 @ \$4.50	Minimum	\$2.80	\$1.50	.90
P2	10 @ \$ 4.75	Minimum	\$2.80	\$1.57	.96
P3	10 @ \$ 4.95	Minimum	\$2.80	\$1.69	\$1.00
P4	10 @ \$ 5.60	Minimum	\$2.95	\$1.75	\$1.02
P5	10 @ \$ 6.00	Minimum	\$3.00	\$1.82	\$1.05
P6	10 @ \$ 7.00	Minimum	\$3.15	\$1.88	\$1.10
P7	10 @ \$ 7.50	Minimum	\$3.40	\$1.94	\$1.15
P8	10 @ \$ 7.70	Minimum	\$3.50	\$2.07	\$1.20
P9	10 @ 7.90	Minimum	\$3.60	\$2.19	\$ 1.35
P10	10 @ \$ 8.00	Minimum	\$3.70	\$2.32	\$1.75
P11	10 @ \$ 8.15	Minimum	\$3.75	\$2.50	\$1.85
P12	10 @ \$ 8.35	Minimum	\$3.80	\$2.63	\$1.95
P13	10 @ \$ 8.90	Minimum	\$3.85	\$2.75	\$2.02
P14	10 @ \$ 9.00	Minimum	\$3.90	\$2.88	\$2.11
P15	10 @ \$ 9.15	Minimum	\$4.00	\$3.00	\$2.36
P16	10 @ \$ 9.25	Minimum	\$4.25	\$3.13	\$2.45
P17	10 @ \$9.50	Minimum	\$4.40	\$3.38	\$2.62
P18	10 @ \$9.80	Minimum	\$4.60	\$3.50	\$2.83
P19	10 @ \$10.00	Minimum	\$4.80	\$3.63	\$2.98
P20	10 @ \$10.15	Minimum	\$4.90	\$3.75	\$3.11
P21	10 @ \$10.25	Minimum	\$5.00	\$3.94	\$3.37
P22	10 @ \$10.50	Minimum	\$5.60	\$4.25	\$3.65
P23	10 @ \$10.80	Minimum	\$5.90	\$4.69	\$3.84
P24	10 @ \$11.00	Minimum	\$6.15	\$5.00	\$3.99
P25	10 @ \$11.15	Minimum	\$6.40	\$5.13	\$4.36
P26	10 @ \$11.30	Minimum	\$7.00	\$6.00	\$4.88
P27	10 @ \$11.90	Minimum	\$7.40	\$6.31	\$5.19
P28	5 @ \$12.00	\$9.00	\$7.80	\$6.75	\$5.60
P29	5 @ \$13.00	\$10.00	\$8.40	\$7.38	\$6.15
P30	5 @ \$13.25	\$11.50	\$8.60	\$7.50	\$6.70
P31	5 @ \$14.10	\$12.00	\$9.00	\$8.63	\$7.45
P32	5 @ \$14.95	\$13.00	\$10.00	\$8.88	\$8.00
P33	5 @ 15.20	\$14.00	\$10.85	\$9.57	\$8.65
P34	5 @ \$16.00	\$15.00	\$12.30	\$10.10	\$9.00
P35	5 @ \$20.00	\$16.00	\$14.50	\$11.40	\$9.60
P36	5 @ \$21.50	\$20.25	\$16.70	\$11.95	\$10.00
P37	5 @ \$22.90	\$21.60	\$17.90	\$13.45	\$10.75
P38	5 @ \$24.60	\$23.20	\$18.65	\$15.05	\$11.75

# Custom Spring Specification Form



## Alloy Spring Products



PN  
REV.  
CUSTOMER NAME:

SPECIFICATIONS	SPECIAL INFORMATION
Mat'l	1. Color Code
Size	2. Heat treat
Finish	or Stress relief
O.D.	3. Squareness (free) within
I.D.	4. Frequency of compression,
F.L.	cycles/sec, and working range, in.
T.C.	to in. of length
Ends	5. Operating temp. °F
Wind	6. Ends use or application
S.H.	
Rate	
Load#1                  Stress=	7. Other
Load#2                  Stress=	
Set Removed          Yes          No	8. Customer Name
Works In	
Works Over	

(SPECIAL REMARKS)				ALLOY SPRING PRODUCTS	
				COMPRESSION SPRING	
4	D			CH BY:	APR BY:
3	C			SCALE	DATE:
2	B				
1	A				
NO	REVISIONS	DATE	CHK	PN	REV.